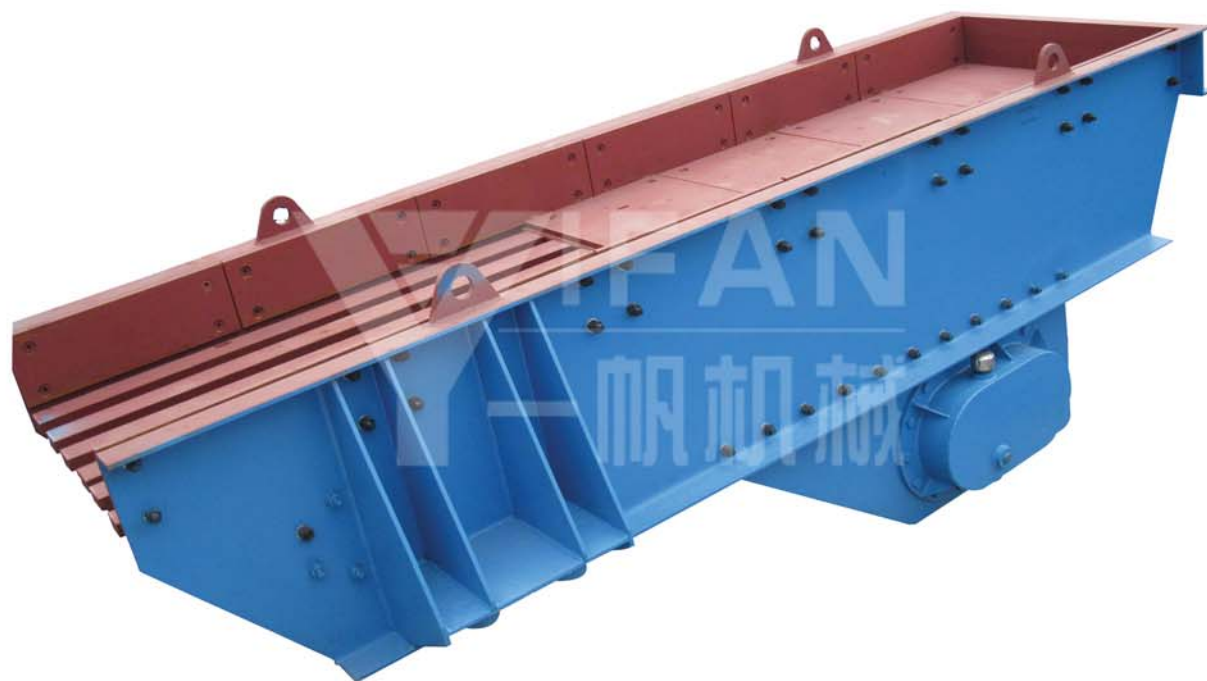


YIFAN

ZSW Series Vibrating Feeder



Leading crushing and screening equipment manufacturer in China

中国领先的破碎筛分设备制造商

Zhengzhou YiFan Machinery Co.,Ltd(the share-holder is Shande Technology (Beijing) Co., Ltd) has its headquarter in Beijing. It is a famous manufacturer of crushing and screening equipment and provides series stone crusher and crushing equipment for customers.



YIFAN

ZHENGZHOU YIFAN MACHINERY CO.,LTD

Tel:+86 371 64628852 Web : www.yfcrusher.com Add : Zhengyuan Rd, Xingyang, Zhengzhou Henan 450100, China

ZSW Series Vibrating Feeder is mainly used to feed material into primary crusher evenly and continuously. Meanwhile, it can screen material and strengthen the capacity of the crusher. It adopts double eccentric shaft vibrating characteristic, so ensure it can bear the impact of large material and enhance feed capacity. It puts massive, granular material continuously, timely, evenly into feed devices from storage silo. This prevents feed devices happen system halting phenomenon due to uneven feed, so it extends the equipment life. Feeder can be divided into steel structure and the comb structure, steel structure is mainly used for feeder aggregate production lines, and put materials into the crushing equipment. Comb structure feeder can make a rough screen to the material make the system in preparation more economic. It becomes a necessary equipment in crushing and screening field. The vibrating feeder is widely used to match the crushing and sieving equipments in many industries including metallurgy, coal mine, mineral dressing, building material, chemical, grinding, etc.

Features and Benefits

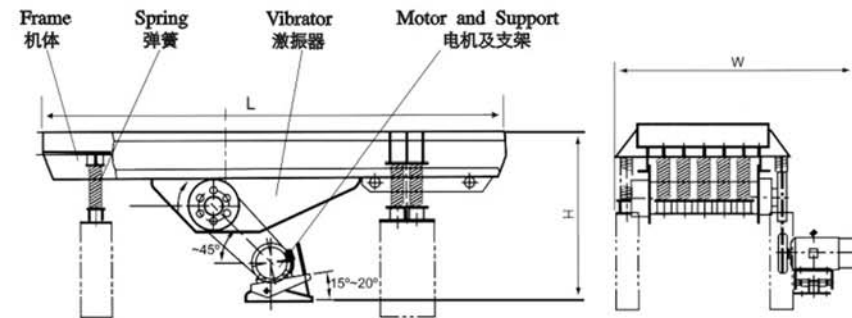
1. Smooth vibration;
2. Special bar to prevent the block of raw material;
3. The distance between bars is adjustable;
4. This series vibrating feeder is reliable operation, low noise, low power consumption, long service life, simple maintenance, light weight, small volume, easy installation, good performance. When adopt closed structure frame, feeder can prevent dust pollution.



Working Principle

ZSW Series Vibrating Feeder is composed of feeding channel, exciter, spring support, and gear. vibration exciter is the source of the feeder. Vibrating exciter is composed of two sets of eccentric (drive shaft and driven shaft) and gear wheel. Drive shaft with motor through V-belt, then the upper gear on drive shaft running with driven shaft, drive and driven shaft reverse rotation at the same time, channel vibrating, so material flow continuously and get the purpose of conveying materials.

Our company has the perfect after-sale service system and spare parts supply system. It is able to provide users with lifelong technical service. Whether process design, equipment installation or wearing parts change, etc. There will be corresponding engineering and technical experts to provide you with quality services.



Model	Size of Funnel(mm)	Max Feed Size (mm)	Overall Dimensions(mm)	Capacity(t/h)	Motor Power(kw)	Weight(kg)
ZSW-380×95	3800×950	500	3882×2224×2121	96-160	11	4082
ZSW-490×110	4900×1100	580	4957×2400×2150	120-280	15	5320
ZSW590×110	5900×1100	600	6000×2500×2150	200-350	22	6130
ZSW-490×130	4900×1300	750	4980×2670×1962	400-560	22	6888
ZSW-600×130	6000×1300	750	6082×2580×2083	400-560	22	7800
ZSW-600×150	6000×1500	1000	6627×2350×3068	460-660	30	9295
ZSW-600×180	6000×1800	1200	6080×3298×8285	500-800	37	12700
ZSW-600×200	6000×2000	1400	6436×3853×3014	600-1000	45	18650

SHANDE TECHNOLOGY (BEIJING) CO.,LTD.

Headoffice Add: Rm422,Nanpeilou Jianshebu,No.11
Sanlihe Rd,Beijing, China

Tel: 010-57811256

Fax: 010-57811257

ZHENGZHOU YIFAN MACHINERY CO., LTD.

Factory Add: Zhengyuan Rd, Xinyang, Zhengzhou Henan

Zip Code: 450100

Tel: +86 371 64628852

Fax: +86 371 64628872

Web: www.yfcrusher.com

E-mail: yifan@yfmac.com

YIFAN